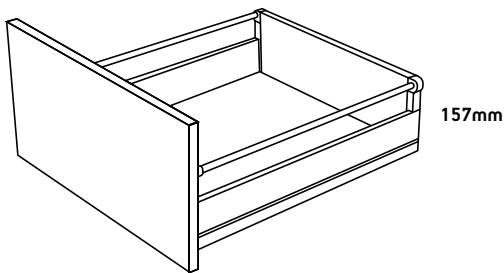


Harn Ritma



Ritma Cube Standard Drawer - MS

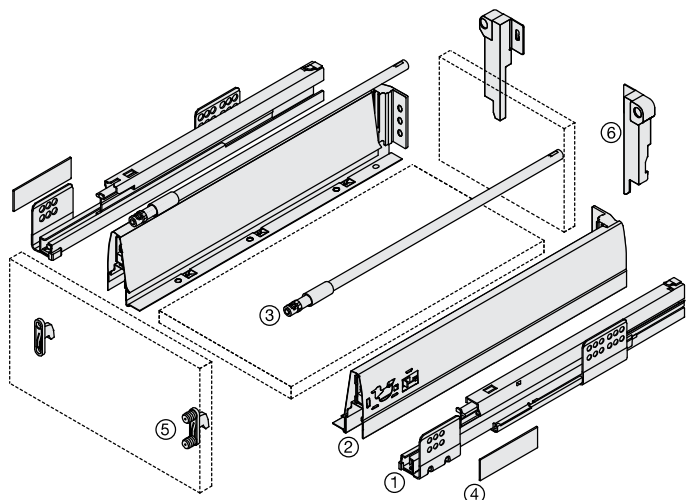
- Soft close roller bearing concealed runners
- Full extension with synchro control
- Steel drawer side 96.5mm (157mm to top of railing)
- Load capacity of 35kg
- Quick assembly
- Flexible 2-dimensional front adjustment
- Syilent integrated cushioning system
- Integrated lateral stabiliser
- **Railing Set**



	Kit Part No. Screw-on	Kit Part No. Knock-in	Kit Part No. Expansion	Size	Sales Unit
White 35kg	RKS8327MS.WH#	RKK8327MS.WH#	RKE8327MS.WH#	270mm	Kit
	RKS8335MS.WH#	RKK8335MS.WH#	RKE8335MS.WH#	350mm	Kit
	RKS8340MS.WH	RKK8340MS.WH	RKE8340MS.WH	400mm	Kit
	RKS8345MS.WH	RKK8345MS.WH	RKE8345MS.WH	450mm	Kit
	RKS8350MS.WH	RKK8350MS.WH	RKE8350MS.WH	500mm	Kit
	RKS8355MS.WH	RKK8355MS.WH	RKE8355MS.WH	550mm	Kit

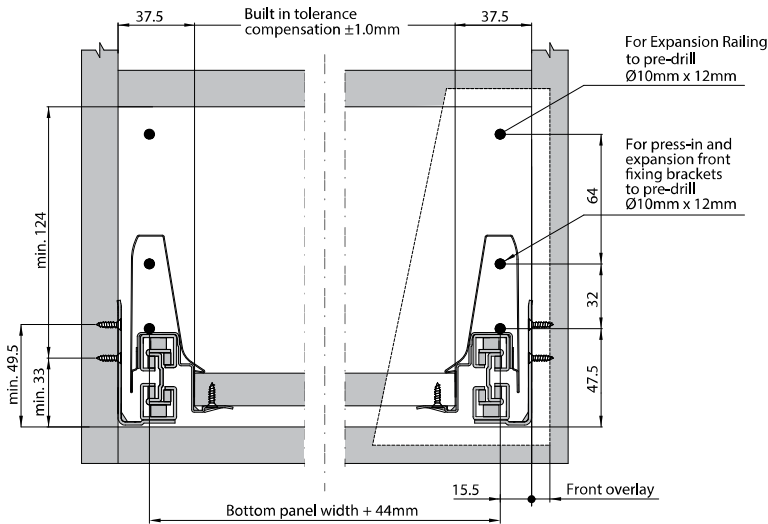
Available 2016

***Please contact us directly to discuss your Harn Ritma Cube requirements so that we may offer you the best possible pricing structure.**

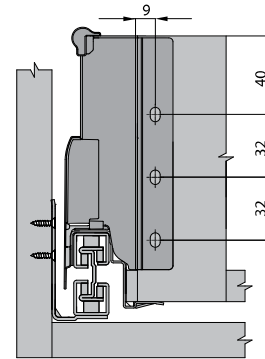


***Grey parts are included in kit.**

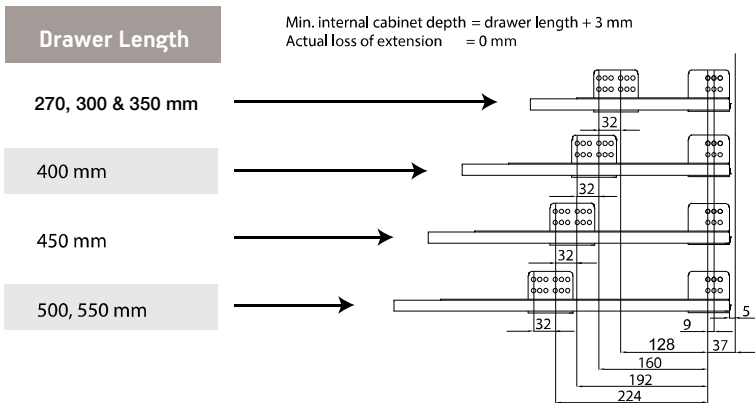
Space Requirements & Front Installation Dimensions



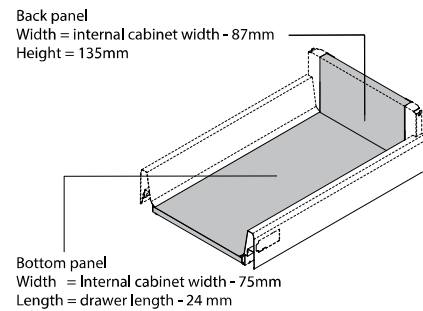
Back Installation Dimensions



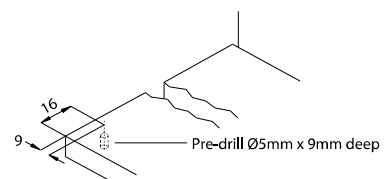
Cabinet Profile Screw Positions



Cutting Dimensions for 16mm Chipboard



Pre-drilling Dimensions of Bottom Panel for fixing Euro Screws



For drawers over 700mm in width we recommend the use of the Euro Orvel Lock & Support for Wide Drawers. Ref page 4.94.